



HVA8.150

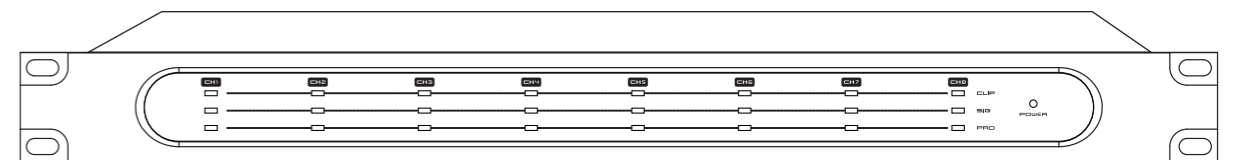
User's Manual



TOPP PRO MUSIC GEAR

www.topppro.com.ar

***SWITCHING POWER
PROFESSIONAL AMPLIFIER
HVA8.150***



HVA8.150

NF05303-1.0

1

Introduction

The product switching power professional Amplifier is designed for professional use on stage. The high-quality components and the carefully designed circuits ensure excellent audio performance and an extremely linear frequency response. In fact, the switching technology offers, together with an increased efficiency and a better control of heat dissipation than conventional power supply systems, a drastic reduction of dimensions and weight, for easier transportation and installation. This Amplifier guarantees total reliability and a trouble-free use even in the most demanding conditions. We believe the product will provide a perfect performance, what you get is unprecedented performance at an incredibly attractive price.

Our Professional Audio Products are designed and tested by a highly qualified engineering team with more than 20 years of experience. Great care is placed in delivering products with excellent performance, specifications and dependable reliability. Also great emphasis is placed in creating and bringing to market products that can fill multiple applications and also offer customers exceptional value.

2

Features

- High current switching power allowing high power output with low noise and low distortion.
- Substantial protection circuitry like thermal, short circuit, power on/off muting and therefore protection.
- Built-in limiter.
- Euroblock input and output.
- Gain controls for easy access.
- Signal, Clip protect, and Power LED indicators to monitor performance.

3

Useful Data

Please write your serial number here for future reference.

Serial Number:

Date of Purchase:

Purchased at:

7

Guarantee

Topp Pro guarantees the normal operation of the product against any defect of manufacture and/or vice of material, by the term of (12) months, counted as of the date of purchase on the part of the user, committing itself to repair or to change, to its election, without position some, any piece or component that will fail in normal conditions of use within the mentioned period.

This guarantee is valid if the original buyer will have to present/display this certificate properly sealed and signed by the selling house, accompanied by the corresponding invoice of purchase where it consisted the model and serial number of the acquired equipment.

The guarantee does not cover:

- Damages caused by the illegal use of the product, repair and/or nonauthorized modification conducted by people by **Topp Pro**.
- Damages caused by the connection of the equipment to other equipment different from the specified ones in the manual of use, or by bad connection to these last ones.
- Damages caused by electrical storms, blows and/or incorrect transport.
- Damages caused by excesses or falls of tension in the network or by connection to networks with a tension different from the required one by the unit.
- Damages caused by the presence of sand, acid of batteries, water, or any strange element inside the equipment.
- Deteriorations produced by the course of the time, use and/or normal wear of the unit.
- Alteration or absence of the serial number of factory of the equipment.

The repairs could only be carried out the authorized technical service by **Topp Pro**, that will inform about the term and other details into the repairs to take place according to this guarantee.

Topp Pro, will repair this unit in counted a term nongreater to 30 days as of the date of entrance of the unit to the Technical Service. In those cases in that due to the particularity of the spare part, outside necessary their import, the repair time and the viability of the same one will be subject to the effective norms for the import of parts, in which case one will inquire to the user about the term and possibility into repair.

With the object of its correct operation, and of the validity of this one guarantee, this product will have to be installed and to be used according to the instructions that are detailed in the manual associate or the package of the product.

This unit will be able to appear for its repair, next to the invoice of purchase (or any other proof where the date of purchase consists), to its authorized distributor Topp Pro or an authorized technical center on watch by **Topp Pro**.

Exclusion of damages:

THE RESPONSABILITY OF TOPP PRO BY ANY DEFECTIVE PRODUCT IS LIMITED THE REPAIR OR THE REPLACEMENT OF HE HIMSELF, TO TOPP OPTION PRO. IF WE CHOSE TO REPLACE THE PRODUCT, THE REPLACEMENT CAN BE A RECONDITIONATED UNIT. TOPP PRO WILL NOT BE RESPONSIBLE BY THE DAMAGES BASED ON THE LOST, INCONVENIENCE, LOSS OF USE, BENEFITS, LOST SAVINGS, BY THE DAMAGE TO OTHER EQUIPMENT OR OTHER ARTICLES IN THE USE SITE, OR BY ANY OTHER DAMAGE IF HE IS FORTUITOUS, CONSEQUENT OR OF ANOTHER TYPE, ALTHOUGH TOPP PRO HAS BEEN NOTICED OF THE POSSIBILITY OF SUCH DAMAGES.

Some states do not allow to the exclusion or the limitation to the fortuitous or consequent damages, so the aforesaid limitation can not be applied to you.

This guarantee gives specific legal rights him, you you can also have other right that varies of state to state.

6

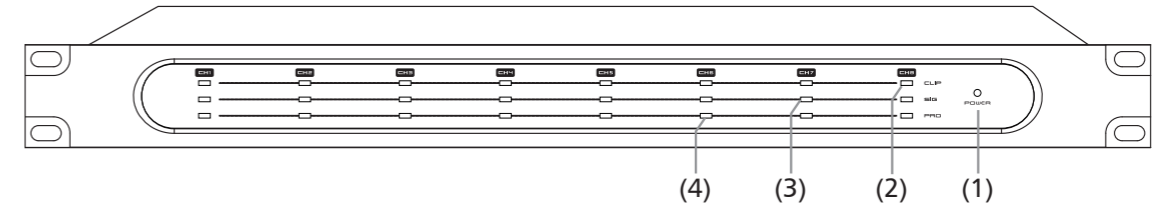
Technical Specifications

Output Power (100V line)	one channel drive	150W
	one channel drive	135W*8
Output Power (70V line)	one channel drive	150W
	one channel drive	135W*8
Input sensitivity	0.9-1.1V (0+/-1dBV)	
Input Impedance	20kΩ (balanced) 10kΩ (unbalanced)	
Frequency response	100 Hz - 15 kHz	
Voltage gain (100V)	40 dB	
THD+N	<0.1%	
S/N rate	>95 dB	
Crosstalk	>70dB	
Damping factor	>200	
Power output circuitry	Switching power, Class-D	
Power supply	110V-120V or 220V-240V AC 50/60Hz	
Protections	Short circuit, open circuit, thermal, ultrasonic and RF	
Connectors	INPUT & OUTPUT: Euroblock	
Controls	Front: AC switch, Input level control for each channel Rear: 70V/100V selector	
Indicators	SIGNAL: green LED CLIP: red LED POWER: green LED PROTECTION: red LED	
Dimensions (WxHxD)	483x44x360 (mm)	
Weight	5.4 kg	

4

Control Element

FRONT PANEL



1. POWER LED

The Green LED light up when the amplifier power on.

2. CLIP LED

This red LED lights up when the input signal is too strong. it is time to reduce input level until clip LED turns off.

3. SIGNAL LED

These green LEDs light up when the respective channel's output signal pass through.

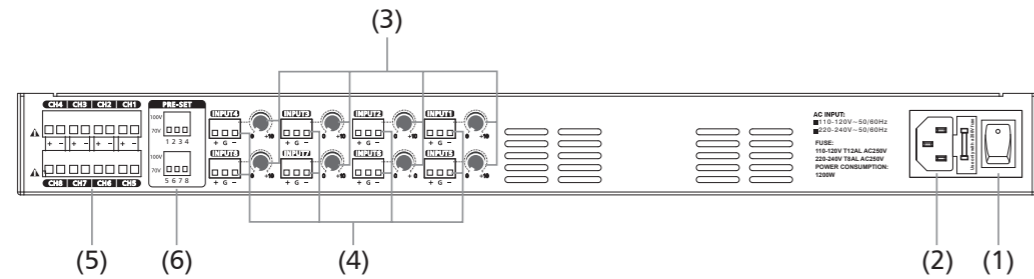
4. PROTECTION LED

In normal operation, the LED will not illume; If the LED turns red, it means the unit is in heat protection without sound output. The speaker system is actually disconnected from the amplifier outputs when this LED is red, the temperature must be reduced by good ventilation and the signal level decreased etc, if the problem is resolved. the protection output systems will deactivate automatically, and normal amplifier operation is resumed.

4

Control Element

REAR PANEL



1. Power Switch

It switches ON/OFF the unit main power.

2. AC Input

Use it to connect your unit to the supplied AC cord.

3. Level Control

These volume controls allow you to adjust the volume level.

4. Euroblock input

INPUT +: balanced signal input+ or unbalanced signal input

INPUT G: signal GND

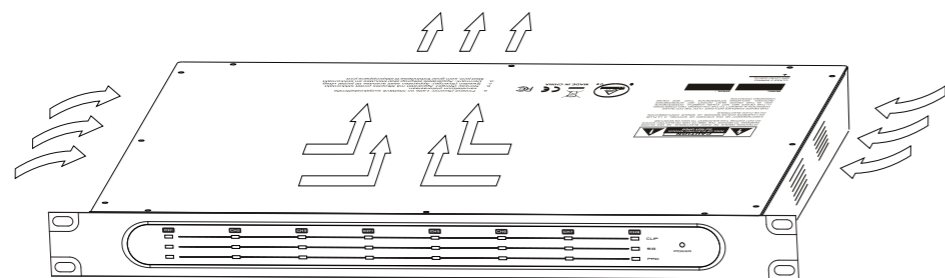
INPUT -: balanced signal input- or unbalanced signal not connect

5. Euroblock Output

Connect the amplifier to your speakers using these Euroblock.

6. Operation mode Switch

Select the operation mode (70V or 100V) on each channel moving the dip-switches to the desired position.



Exhaust Vents

Air is drawn from front grilles, flowing through the unit and heat sink, and then exhausted via the rear vents. Do not block or impede the air flow through these vents and keep the vents areas free of foreign materials.

5

Applications

Inputs connections

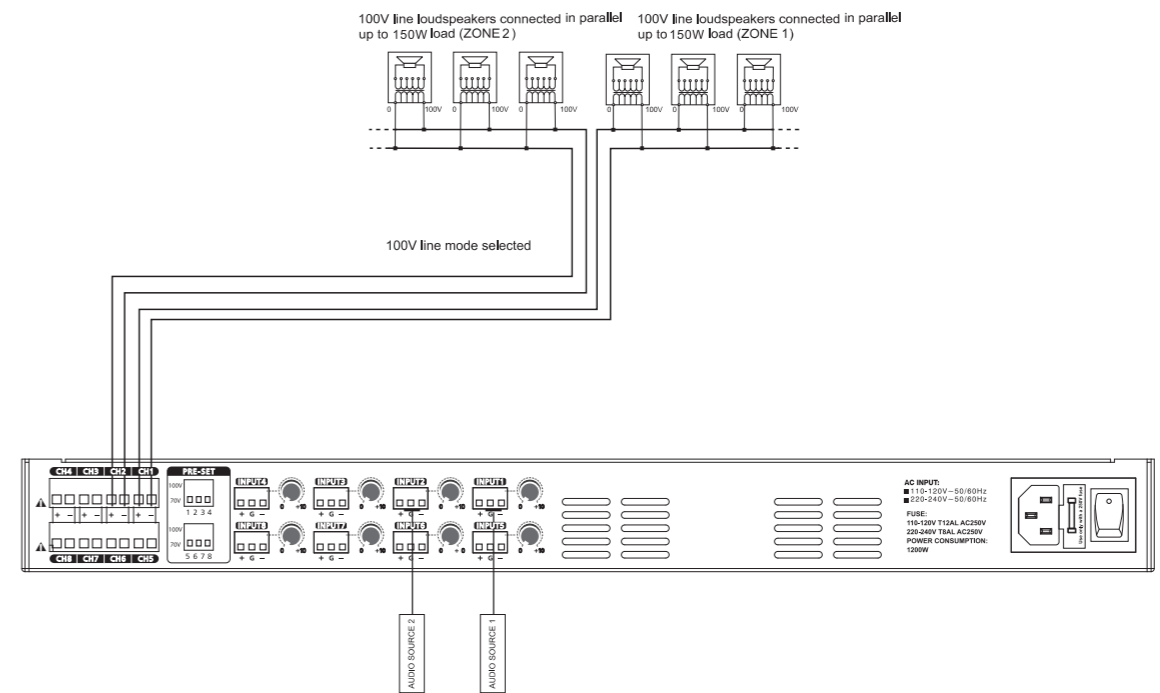
The inputs can be connected to the Euroblock socket using the female free part connectors supplied with the device.

For balanced inputs use Hot pin(+), Cold pin (-) and Ground pin (G) terminals.

For unbalanced inputs use Hot pin (+) and Ground pin (G) only.

Speaker connections

This is a connection example. Thanks to its 8-channel design, it is possible to separate 8 zones with different audio sources or to use the same audio on all zones.



SEIKAKU TECHNICAL GROUP LIMITED

客 戶	TOPP PRO						
料 號	NF05303						
品 名	說明書- 英文						
規 格	HVA8.150 TOPP PRO_V1.0						
公司機種(客戶機種)成品料號	HVA8.150						
重 量/ 基 數	0.02KG/1						
材 質	NH00149 2:1						
紙張展開性質	<input checked="" type="checkbox"/> A3 <input type="checkbox"/> A4 <input type="checkbox"/> A5 <input type="checkbox"/> 其它					紙張展開數量	4
核 准		審 核		校 稿		製 稿	<div style="border: 1px solid black; border-radius: 50%; padding: 5px; text-align: center;"> 研發部 2018.07.12 馮斌 </div>
產品文件編號:							
陽片數量: 8 張							